

Simple Tips

How to care for your new
A&L windows & doors to
keep them simply beautiful

You probably didn't buy your A&L windows directly from us. Your builder probably did. The good news is that both you and your builder are covered by A&L's 7-year guarantee. And you can increase this by a further 12 months just by phoning our Customer Service Freecall Number **1800 441 415**

The **A&L** GROUP[®] **A&L** ARCHITECTURAL
A&L WINDOWS[™]
A&L SCREENS[™]

How to look after your A&L windows and doors

While they are virtually maintenance-free, we recommend some simple care and adjustment from time to time.

Aluminium Products

A little care will help retain the original condition of the aluminium windows and doors in your home. A good general rule is that aluminium should be washed to remove dirt deposits as often as it is necessary to wash the windows.

Aluminium requires only minimum maintenance but the finish, like that on your car, may deteriorate if dirt which collects on the surface is allowed to remain over a period of time.

This is because dirt absorbs moisture present in the atmosphere, and moisture contains salt when near the ocean and other impurities in industrial areas. This combination can cause deterioration of almost any surface finish.

In rural areas where normally there is very little contaminated moisture, you may need to clean your aluminium fittings only every six months.

In industrial and coastal areas, washing at intervals of one to three months may be required, or even more frequently in locations close to the ocean or heavily polluted industrial areas, especially where the windows or other products are sheltered from the washing effects of rain.

To clean aluminium use the mildest treatment you can which produces satisfactory results. Start with warm water and soap or mild detergent; NEVER use harsh liquid chemicals, abrasive cleaners or steel wool.

Glass

After the handover vacuuming and trade cleaning is done, simply wipe over the glass surface with a few drops of methylated spirits on a clean damp cloth, and then polish the surface dry with a lint-free cloth. Ensure that all cleaning cloths and cleaning tools are free from any abrasive substances, dust, etc. Never remove abrasive materials such as mortar from the glass with a scraper; instead, flood both sides of the glass with water and dab with a clean sponge. Don't scrub with the sponge or scratching will occur. Do not use the same sponge, rag or water used to clean tracks, thresholds or sash slides as fine, hard particles of dust/mortar etc may remain and possibly scratch the glass.

Avoid causing extreme temperature changes as this may lead to thermal fracture to the glass (i.e. do not direct hot or cold water onto glass). This is of particular importance on safety glass to doors.

Locks and catches

Keep locks and catches clean and free from blind cords and any other interference which may prevent proper operation.

Spare Parts and accessories

Flywire screens and doors

Essential for enjoying fresh air and breezes without sharing it with flies, mozzies and insects, A&L screens and doors are purpose made to fit your existing windows and doors.

Windows and sliding door deadlocks

A&L precision deadlocks, sash locks and vent locks are available on request.

Touch-up paint

Small scratches or chips caused during construction can be easily touched up with readily available original colour A&L Touch-up Paint.

Silicone Lubricant

Dirt and dust can dry the surface of window and door slides. An occasional clean and vacuum of the sash / door tracks and spray with the silicone lubricant supplied will quickly rectify the problem.

Genuine A&L spares

A&L stock a wide range of spare parts for all window and door products. Don't risk inferior substitutes, always order original A&L spares. For all your genuine A&L accessories and parts call 1800 441 415.

It is common building practice for your builder to make final door adjustments. See items A to E, usually carried out by the builder after his cleaning of the tracks prior to handover.

Care and adjustment guide for A&L Sliding Windows

Track

Ensure the sliding window track has been thoroughly cleaned / vacuumed – handover trade clean is traditionally done by your builder.

Drainage

Sliding windows are designed to allow water into the sill channel, which is then drained through drain holes located beneath the sliding track. The drain holes must be cleared of any obstruction prior to handover by the builder.

Sash Guides

The sash slides on nylon slides which are height adjustable via 3 sliding flats. To adjust the height of the sash and plumb it to the window frame or to assist in overcoming small variations occurring in the window installation or building movement, one or both of the slides can be removed and rotated to a higher or lower flat. (Follow steps 1-4)

Sash Catch

The sash catch handle is designed to be squeezed as the sash is pulled open. This withdraws the latch blade from locking grooves in the window mullion. Some initial 'security' stiffness may be noted until catch 'settles in'.

Security

The sash will only operate effectively when the lock style is parallel or nearly so to the mullion. To plumb the lock style, adjust sash slides as above. (Follow steps 1-4)

Sliding Performance

The sash slides are manufactured from self lubricating nylon. Plaster and mortar dust can dry the surface of the slides. To rectify, spray the cleaned sash track with a silicone lubricant.

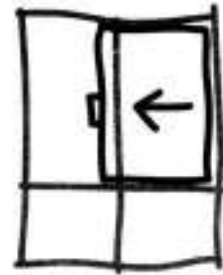
The top and bottom rails of the sash have felt seals fitted. These seals can become clogged and stiff with construction plaster and mortar dust, increasing sliding resistance. Rectify by scraping a blunt knife blade along the felt seal to dislodge grit. Where possible this should be done prior to handover if necessary.

The sash catch height can be adjusted by sliding it up or down the lock style. A lower catch position can enhance the operation of requested tall, narrow sashes which have a natural tendency to tilt when opened.

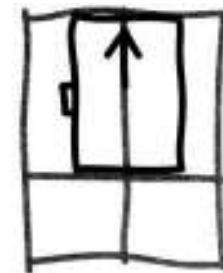
Keyed sash locks and restricted opening sliding sash locks are available as an accessory through our After Sales Service department, on 1800 441 415.

Ensure woolpile seal is clean at all times

1
Open sliding sash



2
Lift open sash up and remove

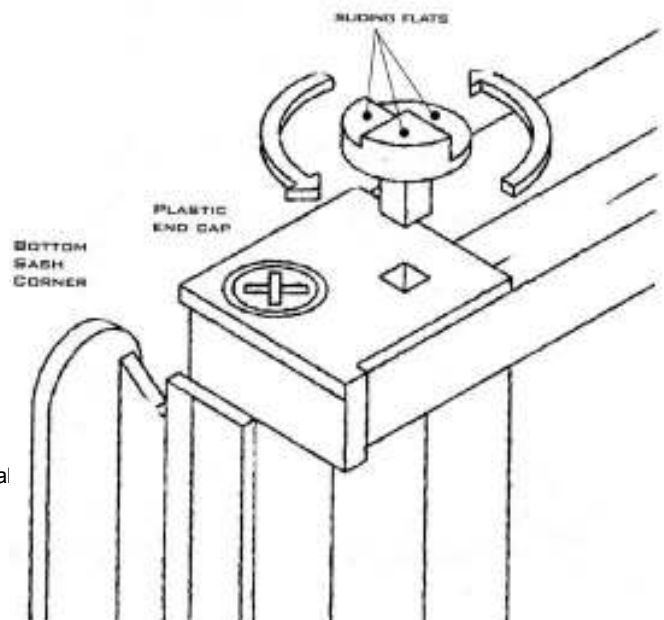


3
Turn sash upside down.
(See diagram for adjustment)



4

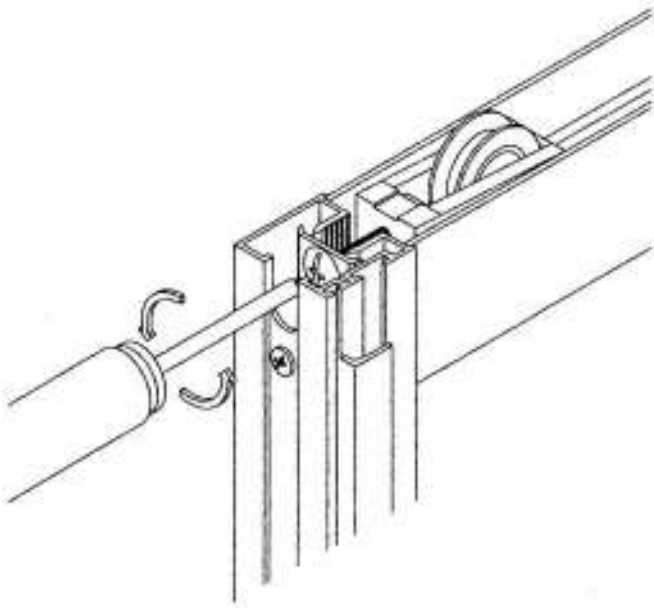
To adjust sash remove guide/s and rotate to a higher or lower sliding at. One or more ends may need to be adjusted.



Care and adjustment guide for A&L Sliding Doors

It is common building practice for your builder to make final door adjustments. See items A to E, usually carried out by the builder after his cleaning of the tracks prior to handover.

(Bottom of door upended showing screw / roller location)



A) Track

Ensure the sliding door track has been thoroughly cleaned / vacuumed.

B) Operation

Do not operate the door if it is scraping on the track as this will cause scoring and possible failure of the rollers (see Roller adjustment).

C) Roller Adjustment

Slide the door to its almost closed position. Check that the door is plumb to its frame and clear of the track. If necessary one or both rollers may be adjusted by turning one or both of the adjustment screws clockwise to raise the door, and anti-clockwise to lower. This adjustment can only be performed with all the weight of the door taken off the roller by holding the door panel jamb clear of the track.

D) Keeper Alignment

Vertical alignment between the latch keeper and parrot beak (tongue) is adjusted by raising or lowering the keeper which has slide fixings.

E) Latch Adjustment

The parrot beaks (tongue) can be extended or withdrawn to increase or reduce play between the door and its frame.

Door threshold / window sills must not have or be used as construction supports for scaffolding or as unprotected barrow ramps.

We trust that the information in this brochure will ensure that you enjoy trouble-free operation from your A&L windows and doors. If after consulting the brochure you are still experiencing difficulties of any kind, please call The A&L Group 1800 441 415

A&LWINDOWS®

VICTORIA

20 Apollo Drive
Hallam VIC 3803
Ph (03) 8786 0000
Fax (03) 8786 0100

QUEENSLAND

4 Progress Street
Yatala QLD 4207
Ph (07) 3451 4100
Fax (07) 3807 4664

SOUTH AUSTRALIA

48-54 Churchill Rd North
Dry Creek SA 5094
Ph (08) 8349 6977
Fax (08) 8349 7050

CALL 1800 441 415

www.alwindows.com.au